

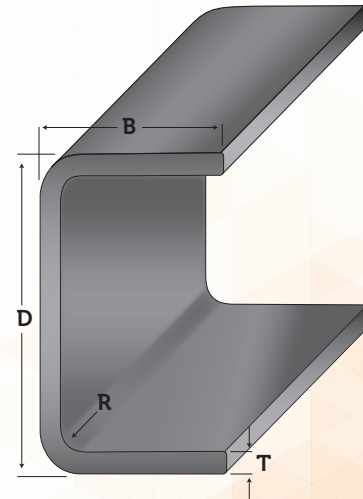
Australian Rollforming manufactures an extensive range of plain and lipped channels in a wide range of thicknesses and sizes. Australian Rollforming's AusChannels are rollformed from high strength G350 grade steel and are available either uncoated or with a highly corrosion resistant hot-dip zinc coating.

In addition to being highly corrosion resistant, Australian Rollforming's AusAngles have rolled safety edges which are achieved by passing the section through a set of edge formers during the rollforming process. The edge becomes not only very safe to handle but also becomes far more attractive than a standard edge when used in exposed applications.

The extensive range of sizes that AusChannels are readily available in is shown below and overleaf.

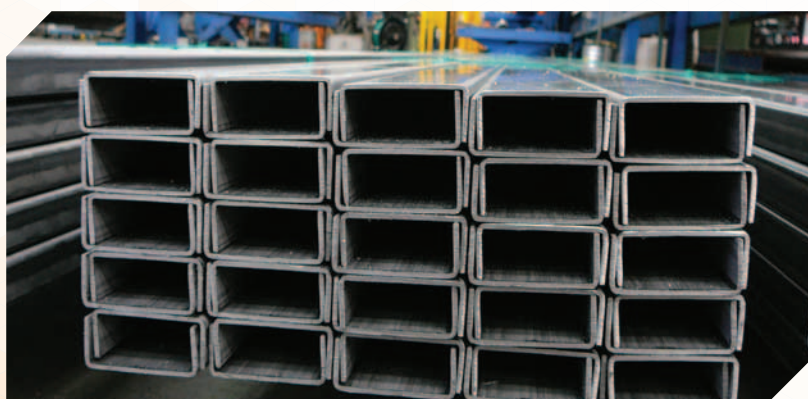
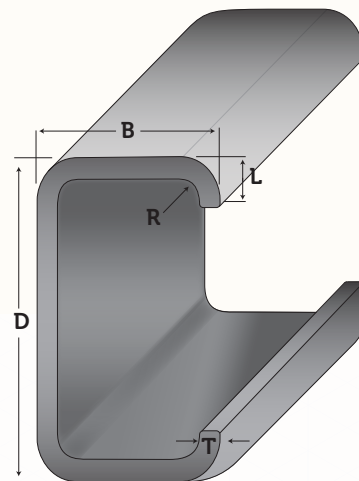
Size Range - Plain Channels (LC)

Part No.	Profile Description	Nominal Dimensions (mm)			Mass (kg/m)
		D	B	T	
LC02010	20 x 20 x 1.0	20	20	1.0	0.45
LC02030	20 x 20 x 3.0	20	20	3.0	1.28
LC05030	50 x 25 x 3.0	50	25	3.0	2.16
LC06525	65 x 25 x 2.5	65	25	2.5	2.17
LC06540	65 x 25 x 4.0	65	25	4.0	3.40
LC07530	75 x 40 x 3.0	75	40	3.0	3.21
LC07540	75 x 40 x 4.0*	75	40	4.0	4.28
LC10030	100 x 35 x 3.0	100	35	3.0	3.90
LC10130	100 x 50 x 3.0	100	50	3.0	4.56
LC10040	100 x 50 x 4.0*	100	50	4.0	6.09
LC12530	125 x 50 x 3.0	125	50	3.0	5.20
LC12540	125 x 50 x 4.0	125	50	4.0	6.89
LC12540A	125 x 65 x 4.0*	125	65	4.0	7.84
LC15030	150 x 50 x 3.0	150	50	3.0	6.96
LC15050	150 x 75 x 5.0*	150	75	5.0	11.38
LC18050	180 x 75 x 5.0*	180	75	5.0	12.73
LC20050	200 x 75 x 5.0	200	75	5.0	13.53
LC20060	200 x 75 x 6.0	200	75	6.0	16.16
LC23060	230 x 75 x 6.0	230	75	6.0	17.59
LC25060	250 x 90 x 6.0	250	90	6.0	19.98
LC30060	300 x 90 x 6.0	300	90	6.0	22.37
LC30080	300 x 90 x 8.0	300	90	8.0	29.64



Size Range – Lipped Channels (LL)

Part No.	Profile Description	Nominal Dimensions (mm)				Mass (kg/m)
		D	B	L	T	
LL05016	50 x 35 x 15 x 1.6	50	35	15	1.6	1.74
LL06525	65 x 35 x 15 x 2.5	65	35	15	2.5	2.90
LL07510	75 x 45 x 15 x 1.0*	75	45	15	1.0	1.36
LL07525	75 x 45 x 15 x 2.5*	75	45	15	2.5	3.40
LL10025	100 x 50 x 15 x 2.5	100	50	15	2.5	4.32
LL10030	100 x 50 x 15 x 3.0*	100	50	15	3.0	5.04
LL12525	125 x 50 x 15 x 2.5	125	50	15	2.5	4.82
LL12530	125 x 50 x 15 x 3.0*	125	50	15	3.0	5.64
LL15030	150 x 65 x 20 x 3.0*	150	65	20	3.0	7.20
LL20030	200 x 75 x 25 x 3.0	200	75	25	3.0	7.92



Notes

1. R = 3.2mm
2. Metallic Coating for 2.5 - 4mm thick: Z275 or equivalent
3. Metallic Coating for 5 - 12mm thick: hot dipped galvanised
4. * Denotes stocked item
5. Non stocked items and all uncoated AusChannels are subject to minimum order quantities - please enquire

AusChannels are also available in other dimensions and lengths and in line hole punching is another feature that Australian Rollforming can provide - please enquire.

Additional technical specifications including section properties are also available on request.

Australian Rollforming is a custom metal rollforming specialist, with the capability to rollform an almost infinite number of profiles in a wide range of metals.

Contact us to discuss your requirements.

Australian Rollforming Manufacturers Pty Ltd
17 - 23 Gaine Rd, DANDENONG SOUTH VIC 3175 AUSTRALIA

Phone 61 3 8769 7444 **Email** info@ausrollform.com.au
Fax 61 3 8768 7496 **Website** www.ausrollform.com.au



Innovation **Quality** **Reliability**